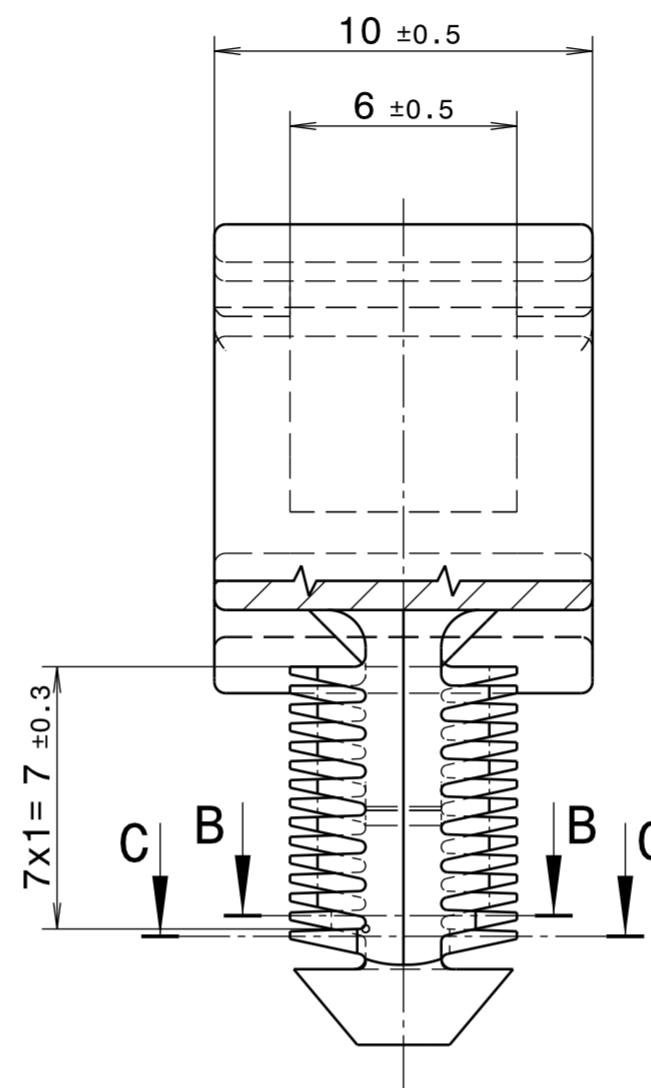
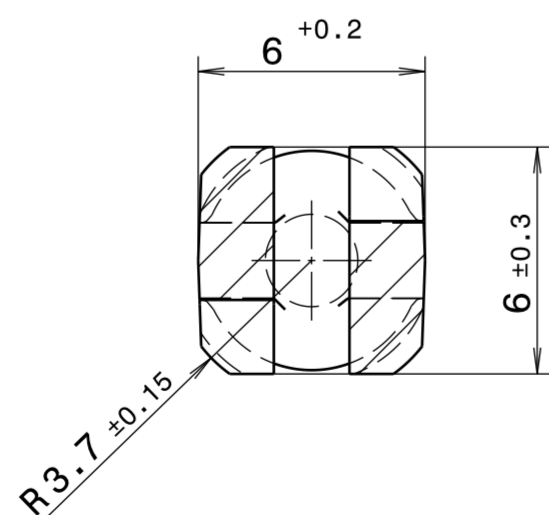
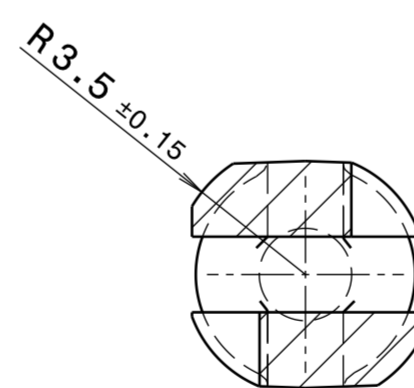


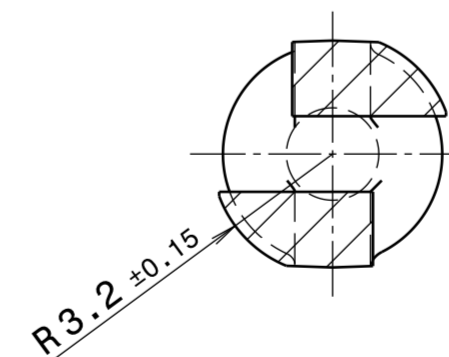
Schnitt / Section A-A



Schnitt / Section B-B



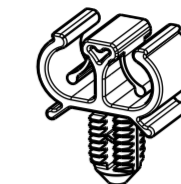
Schnitt / Section C-C



Hersteller-Code an geeigneter Stelle anbringen
Mfr.-Code to be set at suitable place

im Auswerferbereich keine Radien
no radii in the area of ejector

1:1



passend fuer Rohr- oder Schlauch-Ø4...Ø6 (2x)
applicable for pipe- or hose-diameter

Befest. - Loch = Ø6,5^{+0,2}
Fastening hole
Befest. - Dicke = 0,8 . . . 4
Fastening thickness

Rev.	Anzahl/quantity	Aenderungsbeschreibung / modification description	Datum/date	Name
Db	-	Zeichnung ueberarbeitet nach AR- Gruppenstandard, Teil unveraendert	28.07.10	CK



Teichstrasse 57
Germany - 79511 Loerrach
Phone +49 (0) 7621 174-0
Fax +49 (0) 7621 174-2 25

Bei Versandproblemen beantragen Sie bitte beim Absender die deutsche Fassung vor jeder Anwendung.
"CONDITIONS OF USE"
This drawing and all information (the "Drawing") disclosed are the exclusive property of A.Raymond.
By using this Drawing the Addressee acknowledge and accept that this Drawing (1) is covered by A.Raymond intellectual property rights or know-how and (2) is provided under the following conditions who represent a Deposit Agreement.
This Drawing is for Addressee internal use only limited to its estimation.
Without prior written consent of A.Raymond, no permission or rights for any purpose, is hereby granted, such as, without any limitation, (1) the copy, in part or entirely (2) and/or the presentation, in part or entirely, to any other third party outside the Addressee company or in the company but with no interest (3) and/or the distribution of the Drawings, in part or entirely, in any medium (4) and/or the creation of any derivative work.
In case of breach of these conditions, Addressee shall indemnify A.Raymond from and against all damages (compensatory or consequential), costs, expenses and charges, caused or arising out of or attributable to its willful misconduct, fraud, negligence, infringement of A.Raymond Intellectual Property rights. If the Addressee does not accept these conditions, please notify A.Raymond sender immediately.

Schutzrechte/ patent rights	DBP 62		Rasch Code/ classification	BBAD-
Ersatz fuer/ substitute for	016608 000 Da 09.02.2006	Entw.Ref./ dev.ref.	-	Projekt-Nr./ project no. 10504-K
Masstab/ scale	Format A2	Allgemeintoleranz/ general tolerance	Datum/ date	28.07.2010
5:1		140 DIN 16901/ ±5°	Erstellt von/ prepared by	C.Kolb
Projektion / projection	ALL DIMENSIONS ARE IN MILLIMETERS		Freigegeben/ approved	20100729062027
Bleedhöhe/ stat. thickness DIN EN 10140	Volumen/ volume (mm³)	1028	Gewicht/ weight (g)	-

Oberfl./
finish

Werkstoffbehandl./
material treatment

Werkstoff/
material

POM C mod. Weich
POM C mod. flexible

Mat. code
5005

Benennung/
title

Leitungsbefestiger
cable clip

Teil-Nr./
part no.

016608-0-00

Drawing type
Customer

Teil-Nr. / part-no.	016608-0-00	schwarz black	SW	7000
		Oberflaeche / Farbe / finish / colour	Oberfl.Code / finish code	
	Ausfuehrung / execution			
Kundenteile-Nr. / customer part no.	-			Blatt / sheet 1 / 1
CAD system & version	CATIA V5 R19			Dateiname / filename 016608-0c00