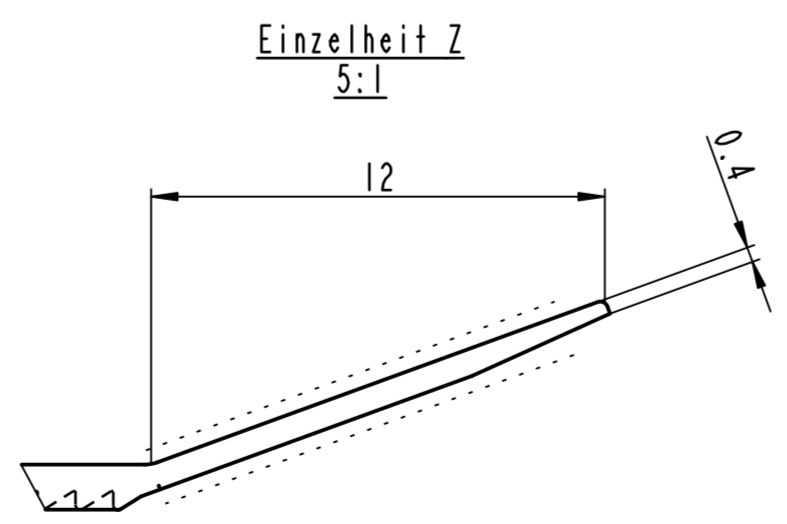
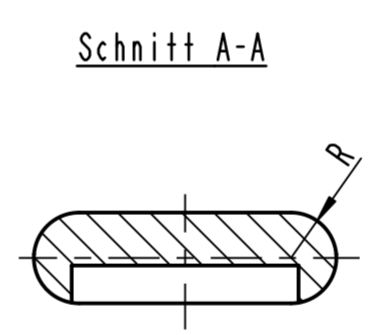
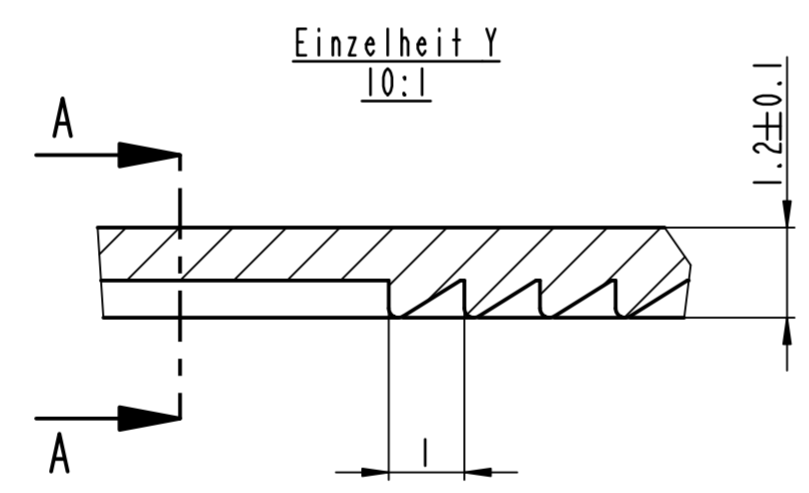


passend fuer Kabelbueindel Ø6 ... Ø45  
 applicable for cable bundle diameter 6 ... 45



>400 < 1000	±2
>120 < 400	±1.5
> 30 < 120	±1
> 6 < 30	±0.5
< 6	±0.25
Winkel / Angle	±3°
Allgemeintoleranzen fuer Maesse ohne Toleranz. General tolerances for nominal dimensions without specified tolerance.	

014691-0-04	schwarz black	SW	7000
014691-0-02	braun brown	BR	9001
014691-0-01	grau grey	GA	4002
014691-0-00	farblos nature	FL	0000
Teil-Nr. / part no.	Oberflaeche / Farbe / finish / colour	Oberfl. Code/ finish code	
Ausfuehrung / Execution			

Rev.	Anzahl/ quantity	Aenderungsbeschreibung / modification description	Datum/date	Name
Ga	-	Zeichnung ueberarbeitet nach AR-Gruppenstandard, Teil unveraendert	24.02.11	kl
Teichstrasse 57 Germany - 79511 Loerrach Phone +49 (0) 7621 174-0 Fax +49 (0) 7621 174-225				
Bei Verstaeandisproblemen beantragen Sie bitte beim Absender die deutsche Fassung vor jeder Anwendung. <b>CONDITIONS OF USE</b> This drawing and all information (the "Drawing") disclosed are the exclusive property of A.Raymond. By using this Drawing the Addressee acknowledges and accepts that this Drawing (1) is covered by A.Raymond' intellectual property rights or know-how and (2) is provided under the following conditions who represent a Deposit Agreement. This Drawing is for Addressee' internal use only limited to its estimation. Without prior written consent of A.Raymond, no permission or rights for any purpose, is hereby granted, such as, without any limitation, (1) the copy, in part or entirely (2) and/or the presentation, in part or entirely, to any other third party outside the Addressee' company or in the company but with no interest (3) and/or the distribution of the Drawing, in part or entirely, in any medium (4) and/or the creation of any derivative work. In case of breach of these conditions, Addressee shall indemnify A.Raymond from and against all damages (compensatory or consequential), costs, expenses and charges, caused or arising out of or attributable to its willful misconduct, fraud, negligence, infringement of A.Raymond' intellectual property rights. If the Addressee does not accept these conditions, please notify A.Raymond' sender immediately.				
Intellectual Property rights vorbehalten / all rights reserved		Classification Code		BAA--
Ersatz fuer/ substitute for		014691_C-01/6/20.08.2003	Entw.Ref./ dev.ref.	Projekt-Nr./ project no. 72437-K
Maassstab/ scale	Format	Allgemeintoleranz/ general tolerance	Datum/ date	24.02.2011
2:1	A2	siehe Tabelle/see table	Erstellt von/ prepared by	Klar
Projektion / projection		Freigegeben/ approved		
ALL DIMENSIONS ARE IN MILLIMETERS		Bleekdickel/ mat. thickness DIN EN 10140	Volumen/ volume (mm³)	780
			Gericht/ weight (g)	0.9
Oberfl. / finish				Oberfl. Code/ finish code
Werkstoffbehandl./ material treatment		konditioniert / conditioned Wassergehalt / water content 1.5 ... 3.5%		
Werkstoff/ material		PA 66 - waermestabil PA 66 - heat stabilized		Mat. code 2532
Bezeichnung/ title		Kabelband cable strap		
Teil-Nr. / part no.		014691-0-00		Drawing type C:Customer
Kundenteile-Nr. / customer part no.		-		Blatt / sheet 1 / 1
CAD system & version		ProE WF3		Dateiname / filename 014691-0C00