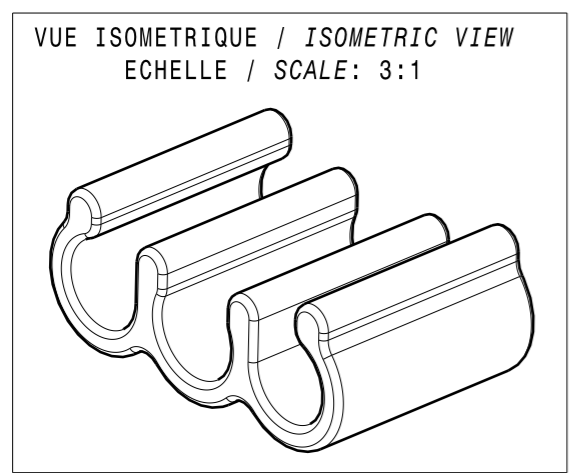
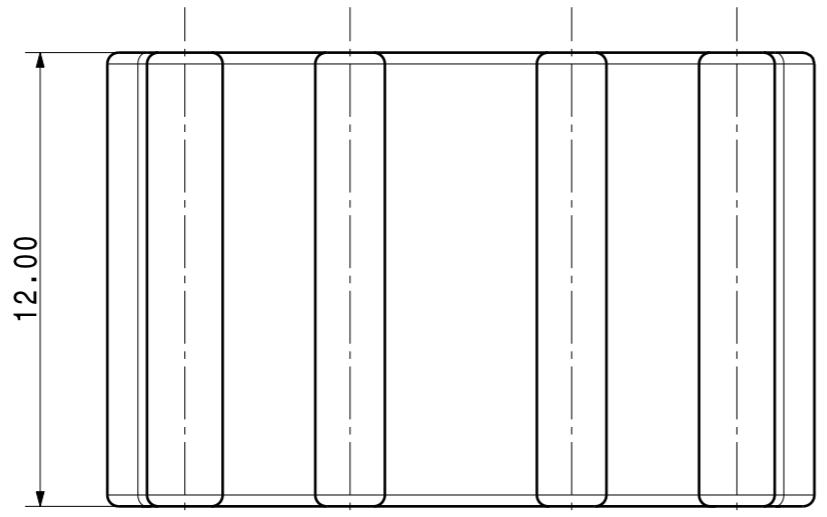
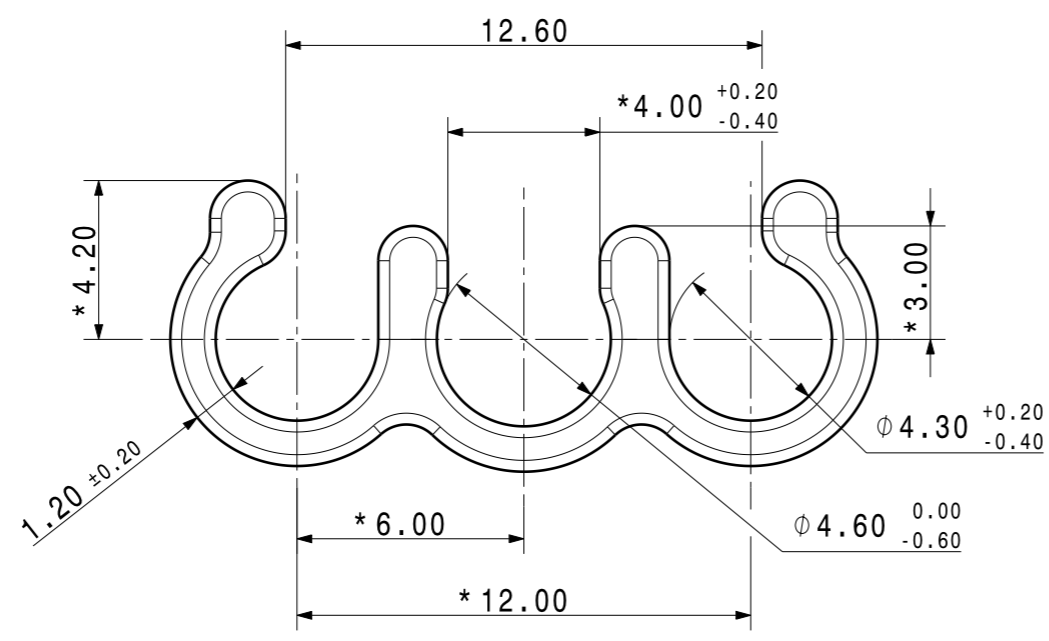
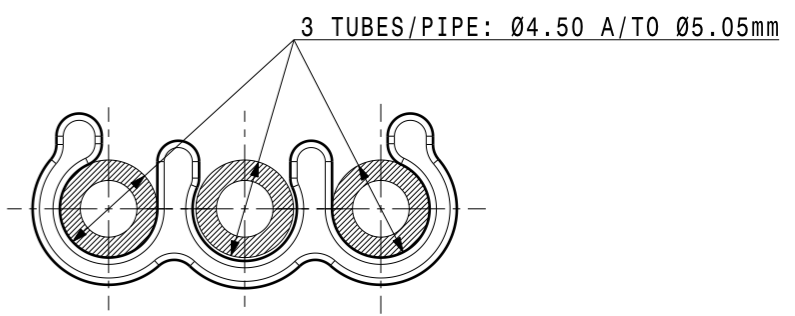


Variant	Matières / Materials	Poids / Weight (g)
01	POMC 1300 Naturel Hostaform C13021 XAP Naturel	0,9
02	PA66 12-13FV Noir Technyl A 238 V13 Noir	0,8



Une consultation préalable de A.Raymond SARL est nécessaire pour toute mise en place de la pièce en automatique.
Automatic processing of the part requires prior consultation with A.Raymond SARL.

EXEMPLE D'UTILISATION / USE CONDITION
ECHELLE / SCALE: 3:1



113 cours Berriat BP 157
France - 38019 Grenoble cedex 1
Tel +33 (0) 4 76 33 49 49
Fax +33 (0) 4 76 78 20 50

Si problème de compréhension, merci de demander la version française à ARaymond avant toute utilisation.
"CONDITIONS OF USE"
This drawing and all information (the "Drawing") disclosed are the exclusive property of A.Raymond. By using this Drawing the Addressee acknowledges and accepts that this Drawing (1) is covered by A.Raymond intellectual property rights or know-how and (2) is provided under the following conditions who represent a Deposit Agreement. This Drawing is for Addressee internal use only limited to its estimation. Without prior written consent of A.Raymond, no permission or rights for any purpose, is hereby granted, such as, without any limitation, (1) the copy, in part or entirely (2) and/or the presentation, in part or entirely, to any other third party outside the Addressee company or in the company but with no interest (3) and/or the distribution of the Drawings, in part or entirely, in any medium (4) and/or the creation of any derivative work. In case of breach of these conditions, Addressee shall indemnify A.Raymond from and against all damages (compensatory or consequential), costs, expenses and charges, caused or arising out of or attributable to its willful misconduct, fraud, negligence, infringement of A.Raymond Intellectual Property rights. If the Addressee does not accept these conditions, please notify A.Raymond sender immediately.

Brevets / Patent rights		Classification code BCA - -	
N° Projet / Project No. -	Origine / Origin -	Chef de projet / Project Manager MOUCHET.S	
Echelle / scale 5:1	Format A3	Tolerance / General tolerance Dimension Angle ± 0.50 ± 5.00°	Date 23.10.1989
ALL DIMENSIONS ARE IN MILLIMETERS		Realise / Prepared by PAULIN.G	Approuve / Approved 20110920093651
Epaisseur / Mat. thickness -		Volume (mm³) 639,4	Poids / Weight (g) -

Finition / finish
**Noir
Black**

Traitement structural / Material treatment
**Sans
Without**

Matière / Material
**Voir nomenclature
See parts list**

Libelle / Title
**Support tube
3 voies
Pipe clip
3 way**

Reference / Part no.
055451-0-01

Drawing type
C:Customer

Bc	Quant.	Index / revision description	Date	Name
-	-	UPDATING DRAWING	20.09.11	GPA

Ref. client / Customer part no.
CAD system & version **CATIA V5 R19 SP7** Nom fichier / File name **055451-0C01**

Planche / Sheet **1/1**

VERIFIER L ECHELLE APRES PHOTOCOPIE / BEWARE SCALE AFTER COPY